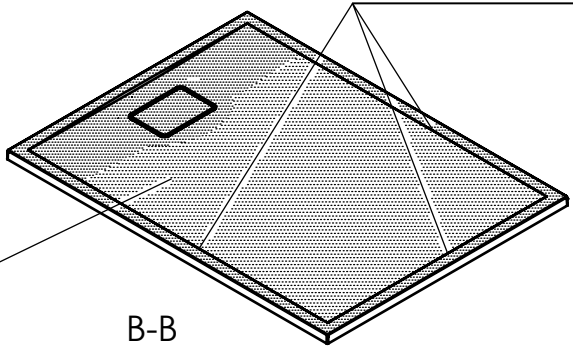


1 2 3 4 5 6 7 8

A B C D E F

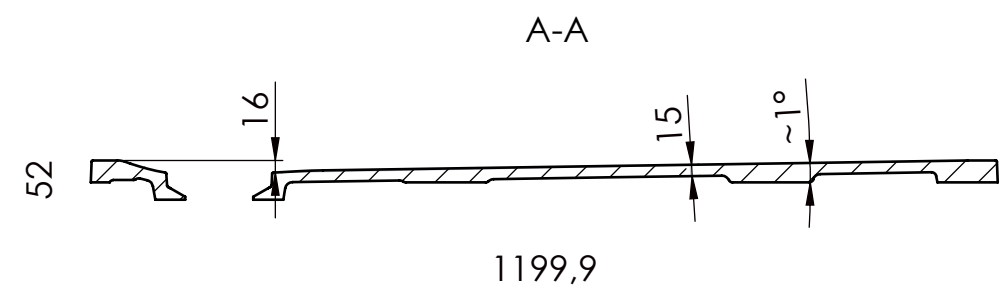
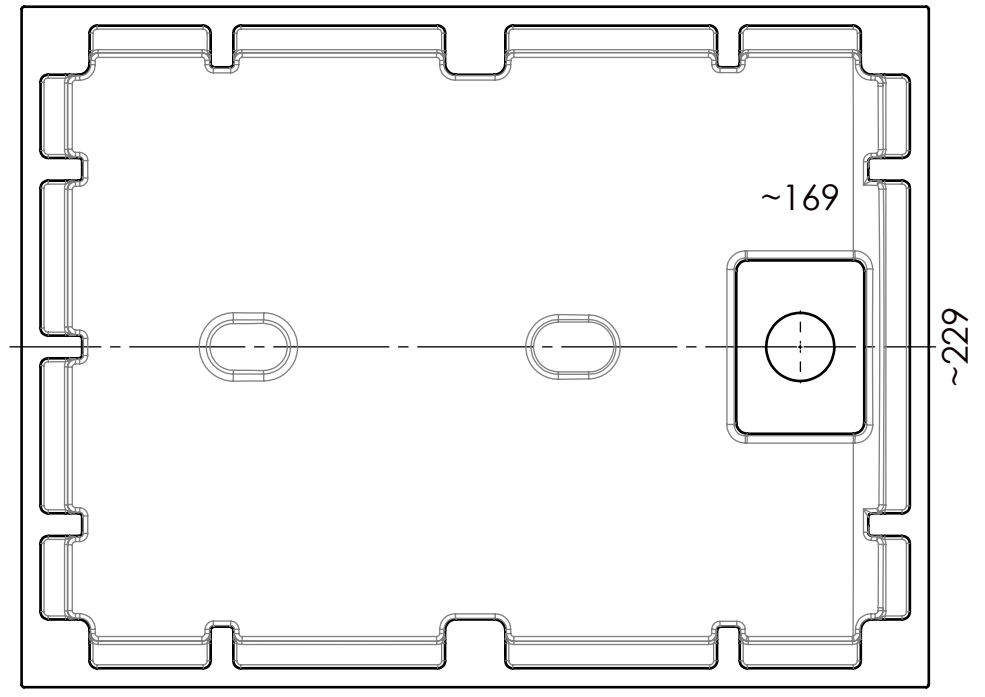
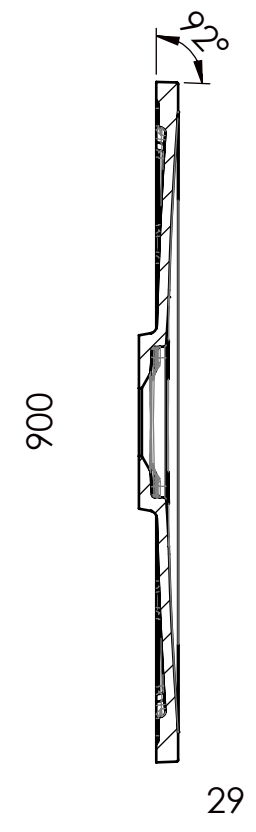
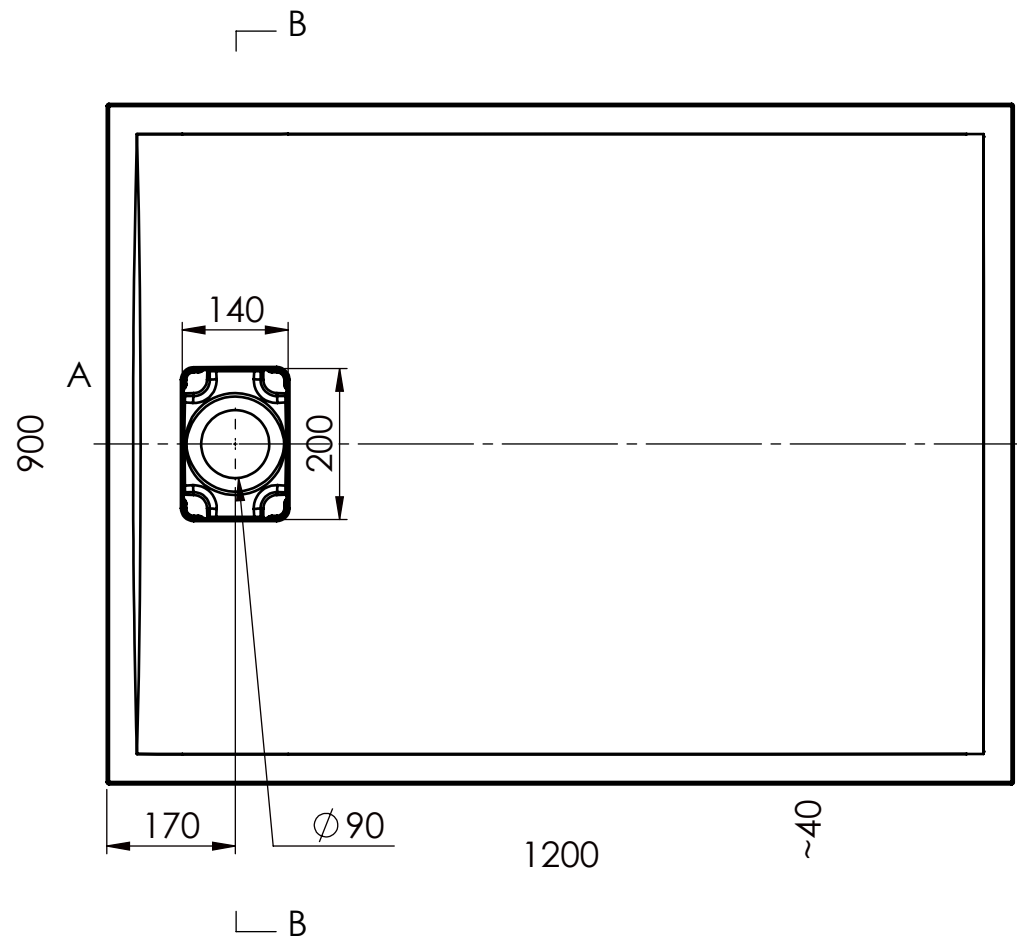
Invisible edges

Anti-slip structure MS012



B-B

Bottom view



| | | | | | | | | | | | |
|--------------------------|----------------------|----------|----------|------------|-------------------------------|----------------|-------------|------------|--------------|---------|-----------------|
| TOLERANCE LENGTH / WIDTH | +5/0mm | CREATED | DRAWN BY | CHECKED BY | DRAWING TITLE | DRAWING No. | CURRENT REV | SHEET | SHEET SIZE | SCALE | |
| TOLERANCE HEIGHT | +2/-2mm | 01/01/24 | MF | MF | TURNER 1200 X 900 SHOWER TRAY | TUR-ST-MW-12X9 | - | 1/1 | A3 | 1:10 | |
| TOL. PLANE BENDING | ≤ 1200mm > 1200mm | | | | | | | OVERFLOW | WASTE | TAPHOLE | MAIN DIMENSIONS |
| TOLERANCE THICKNESS | +2 / -2mm | | | | | | | NO | COVER | 0 | 1200 X 900 X 29 |
| TOLERANCE FEET LOCATION | +7 / -7mm | | | | | | | NET WEIGHT | GROSS WEIGHT | | |
| TOLERANCE HOLE OCATION | +2 / -2mm | | | | | | | 41.4kg | 45.4kg | | |
| TOLERANCE HOLE DIAMETER | +1 / -1mm | | | | | | | | | | |



THE LUXURY BATH COMPANY

1 2 3 4 5 6 7 8