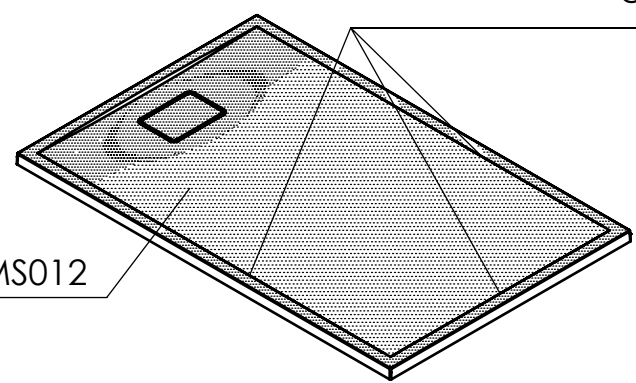


1 2 3 4 5 6 7 8

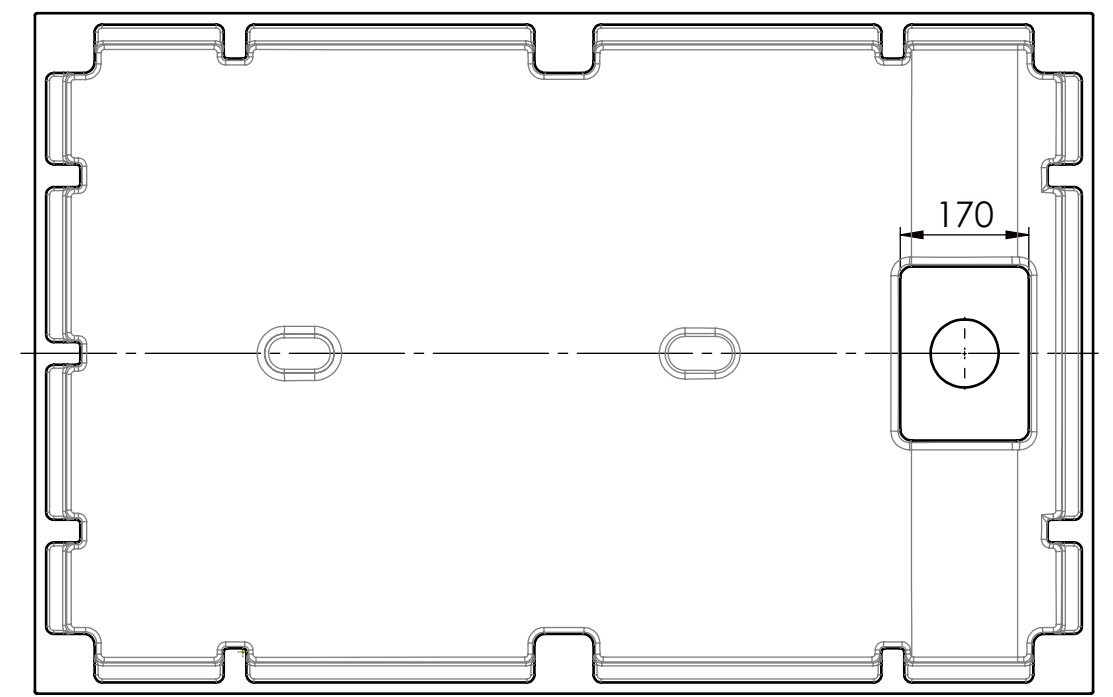
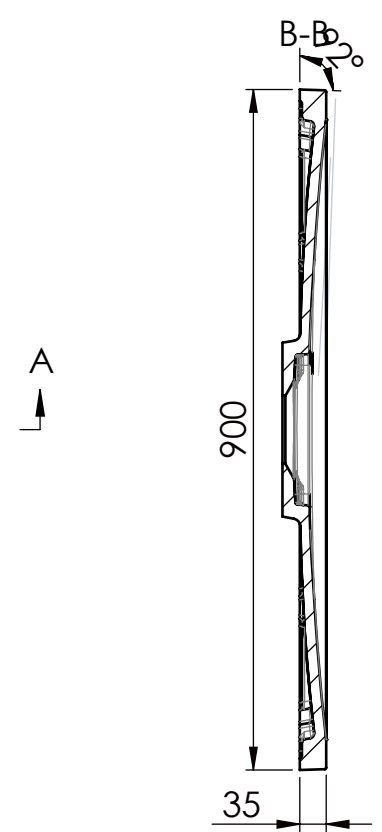
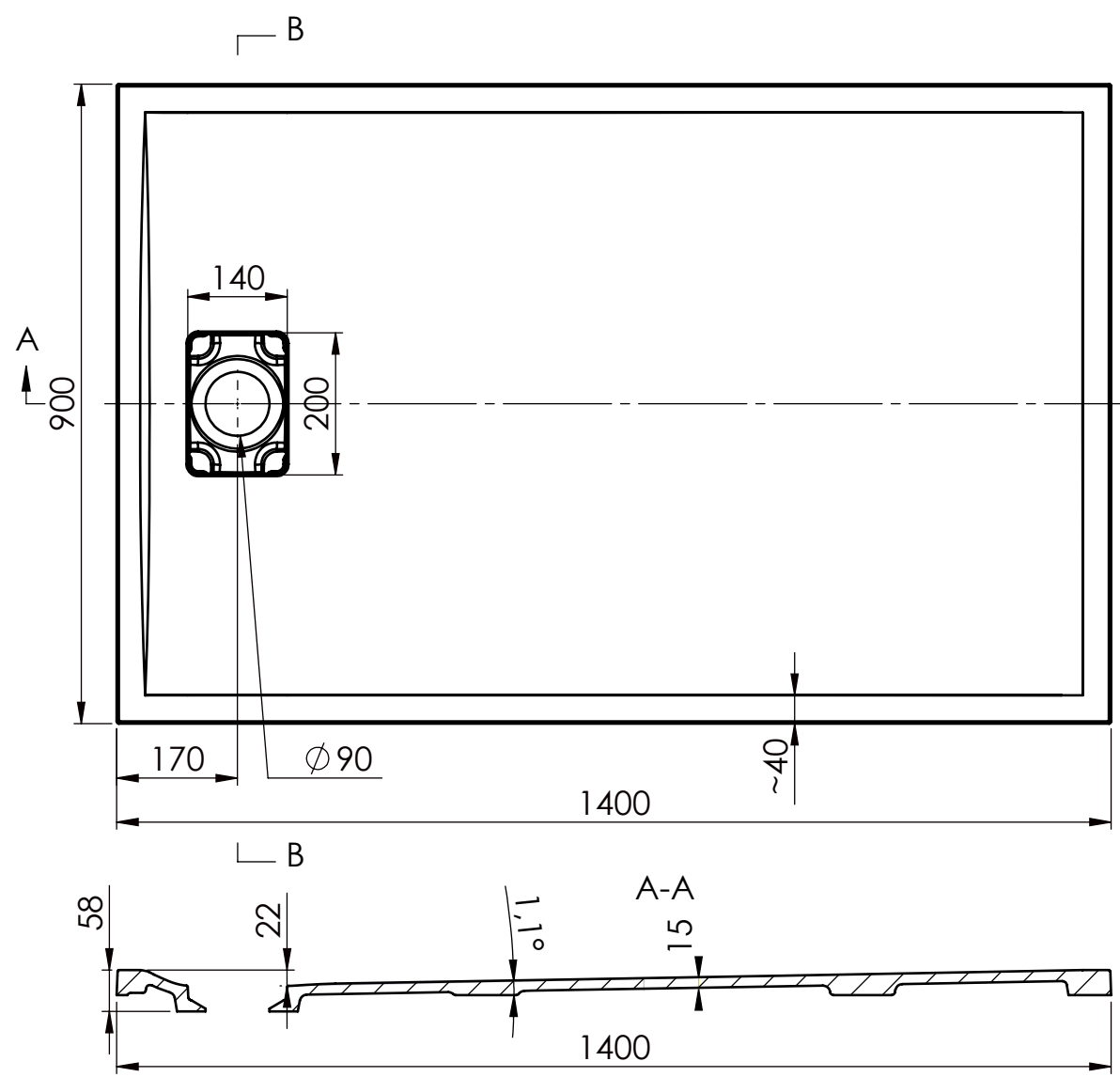
A B C D E F

Invisible edges

Anti-slip structure MS012



Bottom view



TOLERANCE LENGTH / WIDTH	+5/0mm
TOLERANCE HEIGHT	+2/-2mm
TOL. PLANE BENDING	≤ 1200mm +2 / -2mm > 1200mm +3 / -3mm
TOLERANCE THICKNESS	+2 / -2mm
TOLERANCE FEET LOCATION	+7 / -7mm
TOLERANCE HOLE LOCATION	+2 / -2mm
TOLERANCE HOLE DIAMETER	+1 / -1mm

CREATED	DRAWN BY	CHECKED BY	DRAWING TITLE	DRAWING No.	CURRENT REV	SHEET	SHEET SIZE	SCALE	
01/01/24	MF	MF	TURNER 1400 X 900 SHOWER TRAY	TUR-ST-MW-14X9	-	1/1	A3	1:10	
				OVERFLOW	WASTE	TAPHOLE	MAIN DIMENSIONS		
				NO	COVER	0	1400 X 900 X 35		
				NET WEIGHT	GROSS WEIGHT				
				50.7kg	54.7kg				

1 2 3 4 5 6 7 8