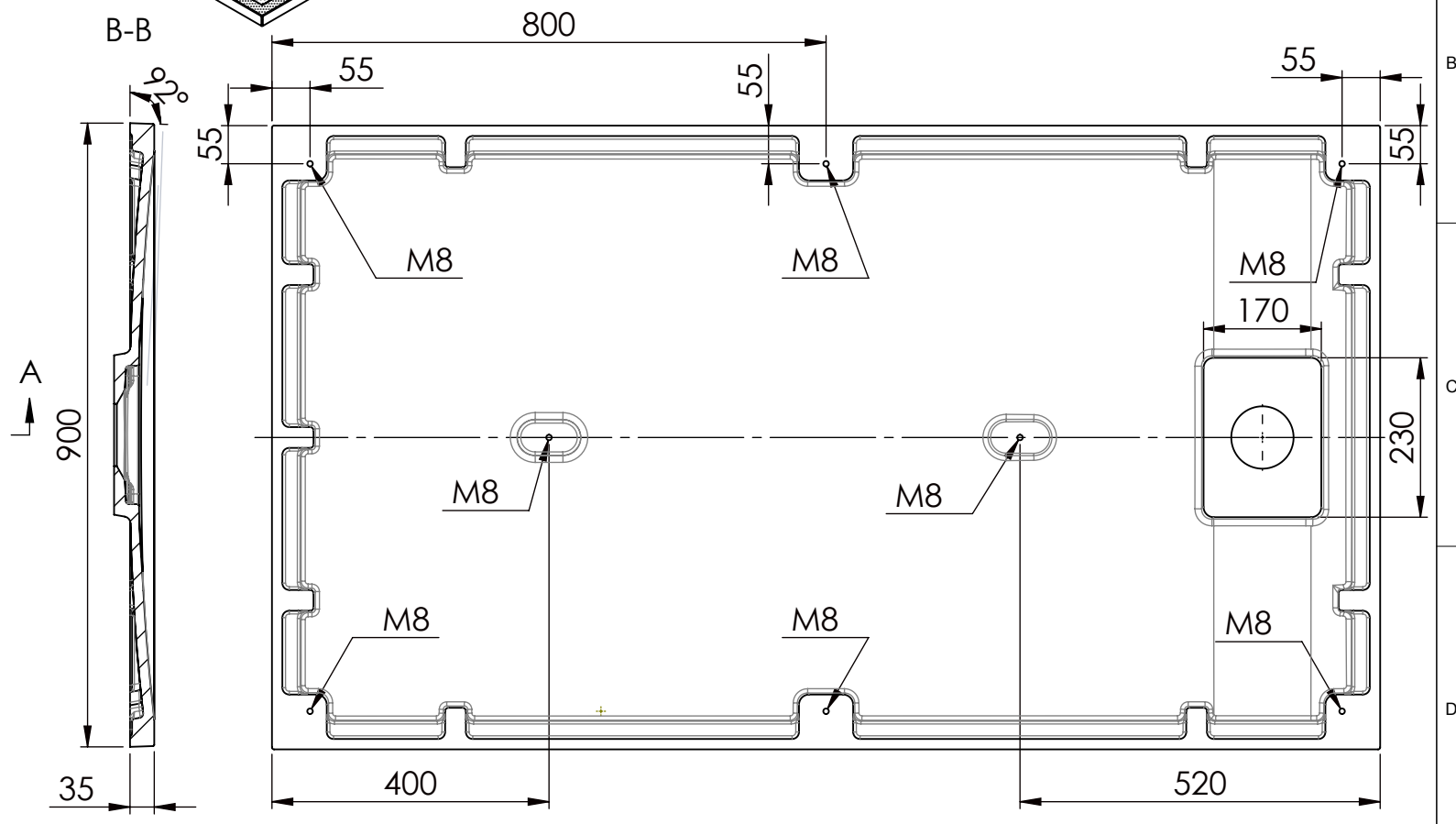
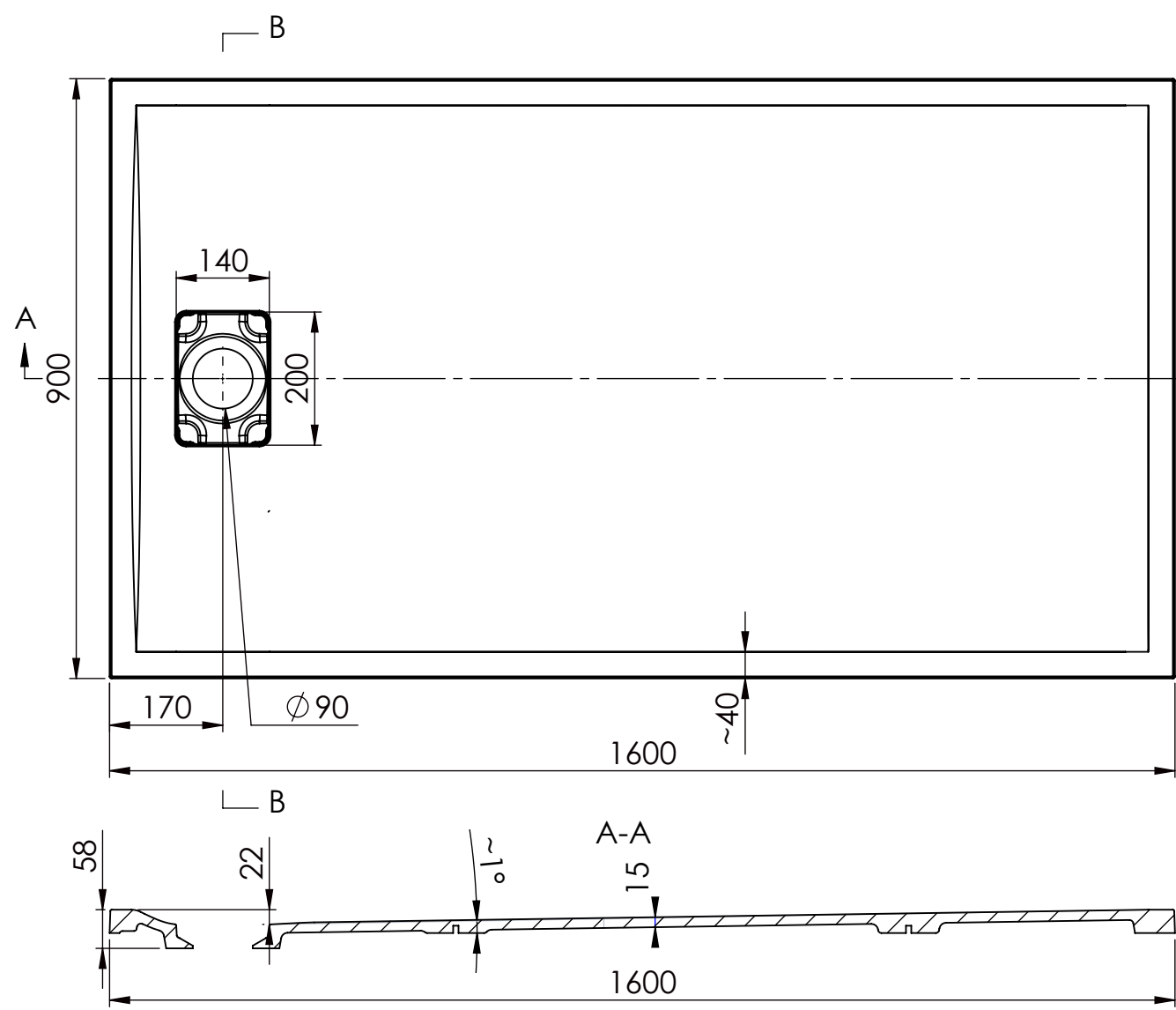


Anti-slip structure MS012

Invisible edges

Bottom view



TOLERANCE LENGTH / WIDTH	+5/0mm	CREATED	DRAWN BY	CHECKED BY	DRAWING TITLE	DRAWING No.	CURRENT REV	SHEET	SHEET SIZE	SCALE		
TOLERANCE HEIGHT	+2/-2mm	01/01/24	MF	MF	TURNER 1600 X 900 SHOWER TRAY	TUR-ST-MW-16X9	-	1/1	A3	1:10		
TOL. PLANE BENDING	≤ 1200mm											
	> 1200mm											
TOLERANCE THICKNESS	+2 / -2mm											
TOLERANCE FEET LOCATION	+7 / -7mm											
TOLERANCE HOLE OCATION	+2 / -2mm											
TOLERANCE HOLE DIAMETER	+1 / -1mm											



THE LUXURY BATH COMPANY

OVERFLOW	WASTE	TAPHOLE	MAIN DIMENSIONS
NO	COVER	0	1600 X 900 X 35
NET WEIGHT	GROSS WEIGHT		
54.4kg	58.4g		