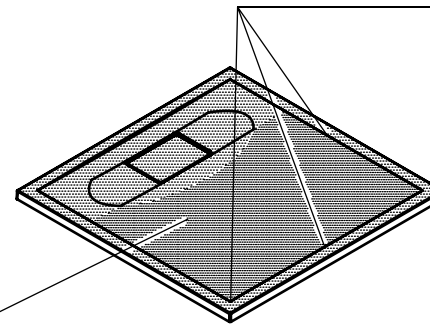


1 2 3 4 5 6 7 8

A B C D E F

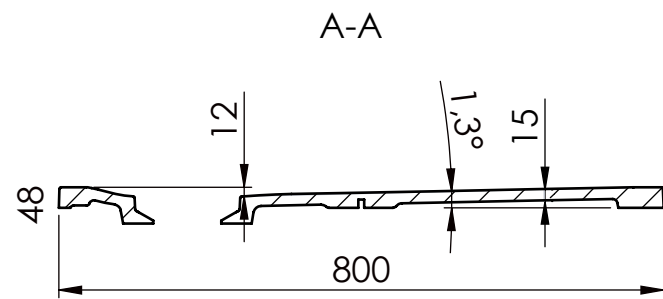
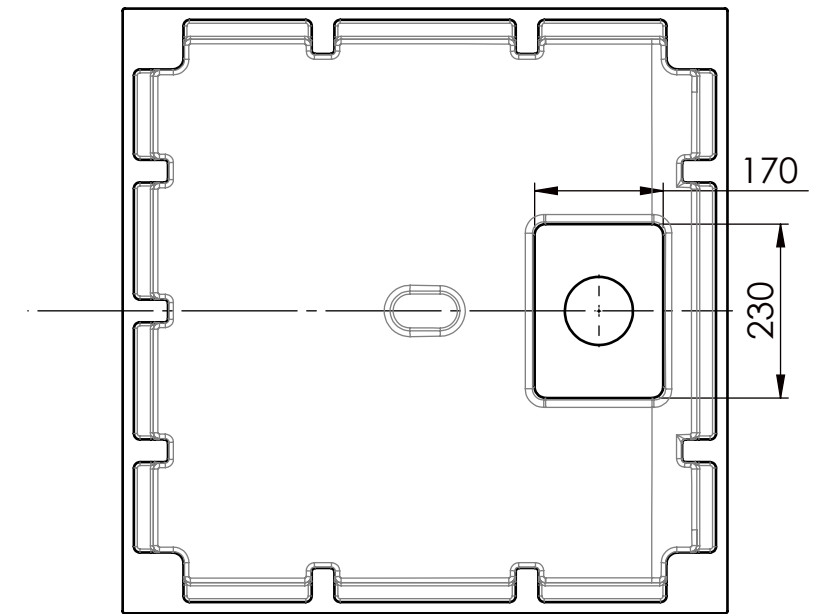
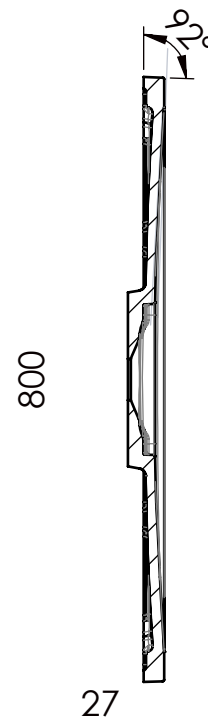
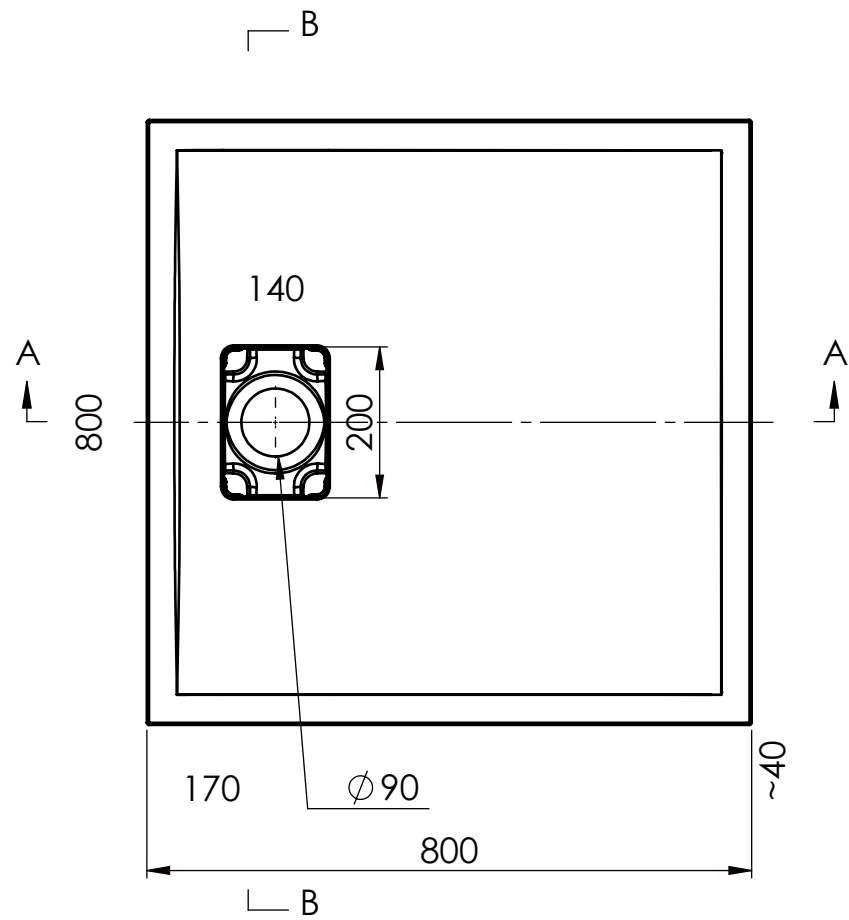
A B C D E F

Invisible edges



Anti-slip structure MS012

Bottom view



TOLERANCE LENGTH / WIDTH		+5/0mm		CREATED	DRAWN BY	CHECKED BY	DRAWING TITLE	DRAWING No.	CURRENT REV	SHEET	SHEET SIZE	SCALE	
TOLERANCE HEIGHT		+2/-2mm		01/01/24	MF	MF	TURNER 800 X 800 SHOWER TRAY	TUR-ST-MW-8X8	-	1/1	A3	1:10	
TOL. PLANE BENDING		≤ 1200mm	+2 / -2mm										
		> 1200mm	+3 / -3mm										
TOLERANCE THICKNESS		+2 / -2mm											
TOLERANCE FEET LOCATION		+7 / -7mm											
TOLERANCE HOLE OCATION		+2 / -2mm											
TOLERANCE HOLE DIAMETER		+1 / -1mm		NO		WASTE COVER		TAPHOLE		MAIN DIMENSIONS			
				25kg		29kg				800 X 800 X 27			

1 2 3 4 5 6 7 8