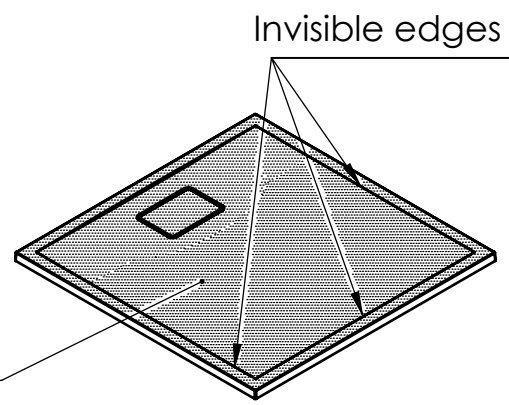
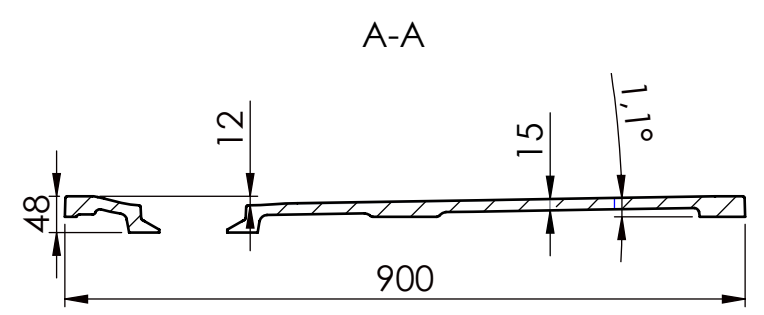
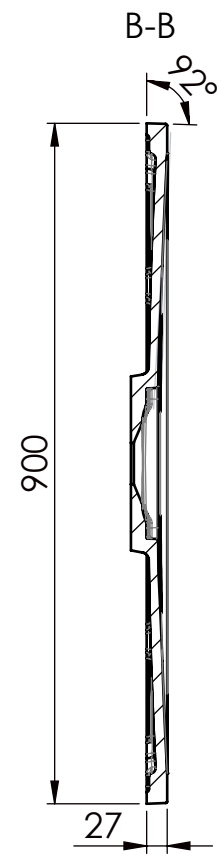
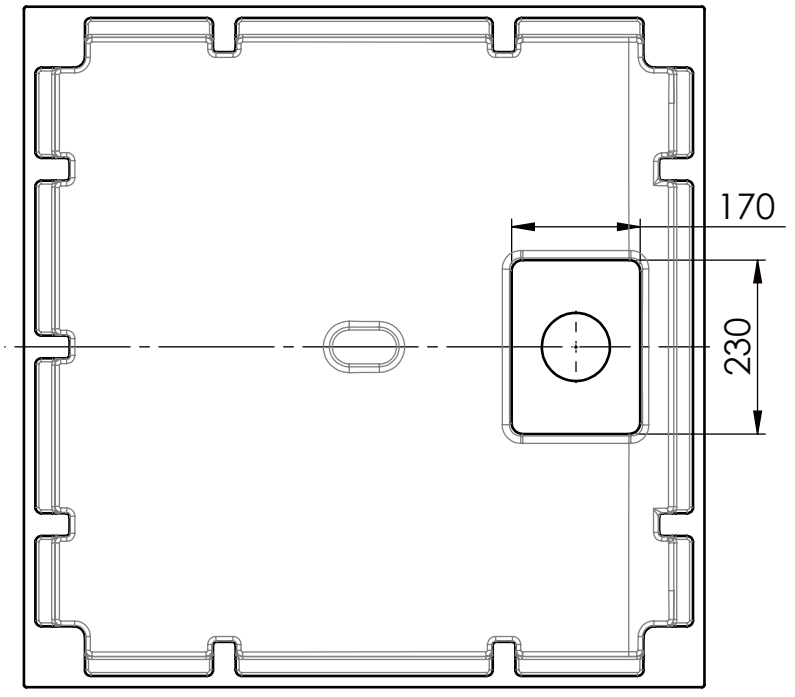


A



Bottom view



TOLERANCE LENGTH / WIDTH	+5/0mm	CREATED	DRAWN BY	CHECKED BY	DRAWING TITLE	DRAWING No.	CURRENT REV	SHEET	SHEET SIZE	SCALE	
TOLERANCE HEIGHT	+2/-2mm	01/01/24	MF	MF	TURNER 900 X 900 SHOWER TRAY	TUR-ST-MW-9X9	-	1/1	A3	1:10	
TOL. PLANE BENDING	≤ 1200mm > 1200mm										
TOLERANCE THICKNESS	+2 / -2mm										
TOLERANCE FEET LOCATION	+7 / -7mm										
TOLERANCE HOLE OCATION	+2 / -2mm										
TOLERANCE HOLE DIAMETER	+1 / -1mm										



THE LUXURY BATH COMPANY

OVERFLOW	WASTE	TAPHOLE	MAIN DIMENSIONS
NO	COVER	0	900 X 900 X 27
NET WEIGHT	GROSS WEIGHT		
29.7kg	33.7kg		